

NEO®

240 SERIES

Undercounter Ice Machines

UDPO240A | UDPO240W | UYPO240A | UYPO240W



ICE SHAPES



▶ **Half-Dice:** 3/8" x 1 1/8" x 7/8"
(0.95 x 2.86 x 2.22 cm)



▶ **Dice:** 7/8" x 7/8" x 7/8"
(2.22 x 2.22 x 2.22 cm)

SIZE

- ▶ Up to 250 lbs (114 kgs) of daily ice production
- ▶ 26" (76.20 cm) wide, 28.50" (72.4 cm) deep, and 38.50" (97.8 cm) high on 6" (15.24 cm) legs
- ▶ 3.037 ft³ (0.086 m³) cabinet volume
- ▶ 90 lb (40 kg) ice storage capacity*

*Application capacity based on 90% volume x 33 lbs./ft³ average density of ice

SPECIFICATIONS

Refrigerant R290

BTU Per Hour

- ▶ 3,700 (average)
- ▶ 4,400 (peak)

Compressor: Nominal rating 0.5 HP

Cupra-Nickel Condenser: (Water-cooled models)
Adds protection from corrosive water elements

Operating Limits:

- ▶ Ambient temperature range: 50° to 100°F (10° to 37.7°C)
- ▶ Water temperature range: 45° to 90°F (4.4° to 32.2°C)
- ▶ Water pressure ice maker
 - ◆ Water in
 - Min. 20 psi (137.9 kPA)
 - Max. 80 psi (551.1 kPA)
- ▶ Condenser inlet water in
 - ◆ Water-cooled only
 - Min. 20 psi (137.9 kPA)
 - Max. 150 psi (1,034.2 kPA)

Power

115/60/1 (208-230/60/1 and 230/50/1 available) 115/60/1 ice machines are factory pre-wired with a 8 ft (243 cm) power cord and NEMA 5-15P-plug configuration. 208-230/60/1 ice machines are factory pre-wired with a 8 ft (243 cm) power cord only, no plug is supplied.

Total Amps

- ▶ 115/60/1 Air-cooled: 7.0 amps, Water-cooled: 6.0 amps
- ▶ 208-230/60/1 Air-cooled: 3.5 amps

Maximum Fuse Size

- ▶ Air and water-cooled: 15 amps
- ▶ HACR-type circuit breakers can be used in place of fuses



Touchpad

Easy to read and use touchpad - on/off, delay, clean, filter change, full bin, service indicator



Onboard Water Filtration

Integrated water filtration improves machine efficiency and performance while ensuring cleaner, clearer, and great-tasting ice



Air Flow

Front ventilation is ideal for installation under countertops or next to other equipment



Removable Bin

Removable, forward-sliding storage bin allows for easy access to refrigeration components for cleaning and maintenance

NEO[®] 240 SERIES

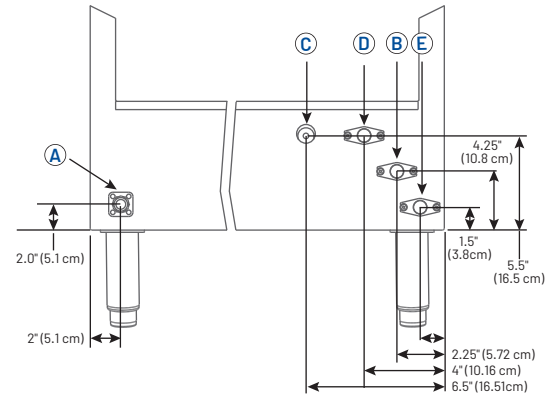
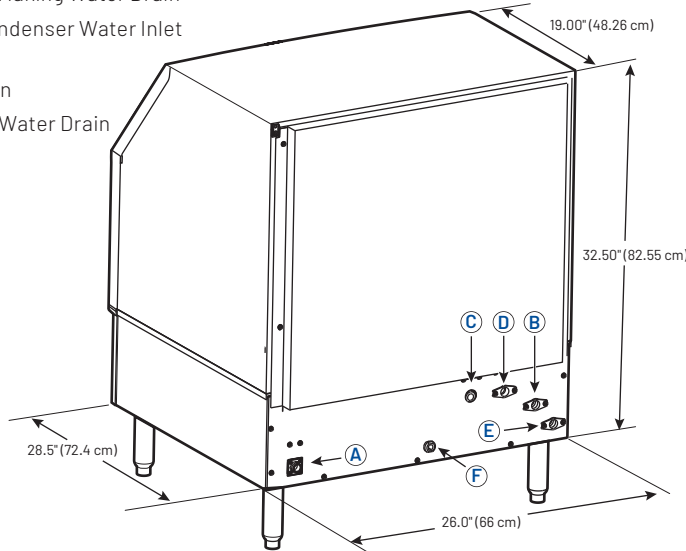
Undercounter Ice Machines

UDP0240A | UDP0240W | UYP0240A | UYP0240W

INSTALLATION

Recommended clearance for top, sides and back is 5" (12.7 cm) however, there is no minimum clearance required.

- A** 3/8" (0.95 cm) F.P.T. Ice Making Water Inlet
- B** 1/2" (1.27 cm) F.P.T. Ice Making Water Drain
- C** 3/8" (0.95 cm) F.P.T. Condenser Water Inlet
- D** 1/2" (1.27 cm) F.P.T. Condenser Water Drain
- E** 1/2" (1.27 cm) F.P.T. Bin Water Drain
- F** Electrical Entrance



Limited Commercial Warranty

Ice Maker Three (3) years parts and labor

Evaporator Five (5) years parts and labor

Compressor Five (5) years parts, three (3) years labor

SPECIFICATIONS

Model	Ice Shape	Ice Production 24 Hours				Power Usage kWh per 100 lbs. of ice 90° Air/70°F Water (32° Air/21°C Water)	Potable water usage gal/100 lbs. ice @ 90° Air/70°F Water (32° Air/21°C Water)
		70° Air/50°F Water 21° Air/10°C Water		90° Air/70°F Water 32° Air/21°C Water			
UYP0240A	Half-Dice	250 lbs	114 kg	200 lbs	91 kg	6.23	15.5 gal (58.67 L)
UYP0240W	Half-Dice	235 lbs	107 kg	214 lbs	97 kg	4.65	17 gal (64 L)
UDP0240A	Dice	240 lbs	109 kg	197 lbs	91 kg	6.23	15.5 gal (58.67 L)
UDP0240W	Dice	240 lbs	109 kg	212 lbs	97 kg	4.65	15.5 gal (58.67 L)

Water-cooled condensers: Water Usage / 100 lbs (45.4 kg) of Ice: 166 gal (628 liters)
Standard 6" (15.24 cm) adjustable leg. Standard plastic NEO ice scoop included.



2110 South 26th Street | Manitowoc, WI 54220 | United States
+1.920.682.0161 | 920.683.7589 Fax | manitowocice.com

All indicated Pentair trademarks and logos are property of Pentair. Third party registered and unregistered trademarks and logos are the property of their respective owners. ©2025 Pentair. All rights reserved.